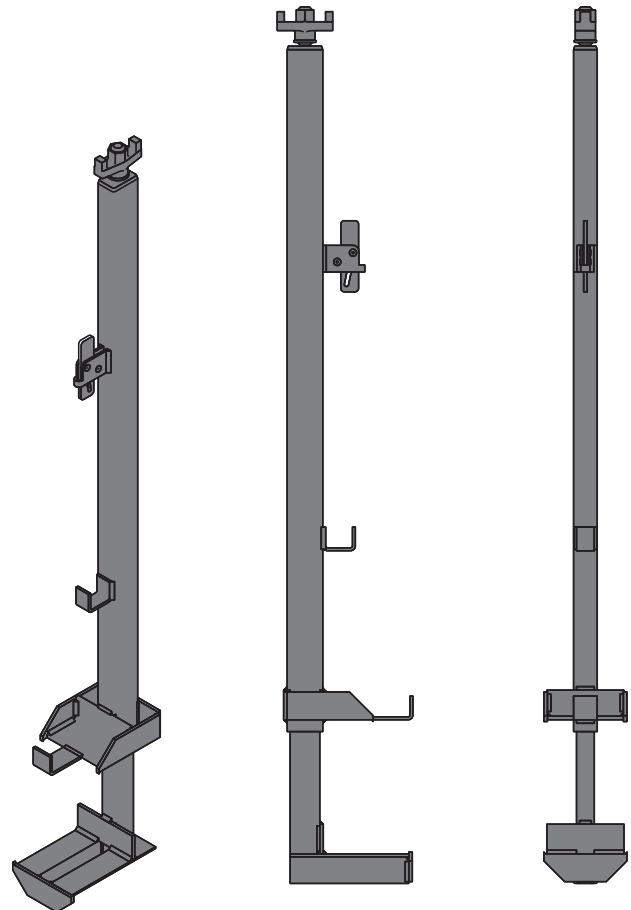


## AS007 ACCURATE SAFETY™ SLAB CLAMP

**Accurate Safety™ Slab Clamp** is affordable, fast, safe and quickly adjusts to concrete or timber-leading edge with up to 1000 mm / 39 inches in variance.

For use with **AS003 Accurate Safety™ Panel** for when drilling into the concrete isn't an option or requirement. No special tools are required.

The **Accurate Safety™ Slab Clamp** is pre-galvanized and powder-coated.



### KEY FACTS

PRODUCT CODE	AS007
PRODUCT NAME	Accurate Safety™ Slab Clamp
SIZES	2275mm x 220mm x 140mm
WEIGHT	15kg / 33lbs
ADJUSTMENT	80-1000mm
FINISH	Pre-galv & powder-coated

### CERTIFIED TO:



BS EN 13374 CLASS A