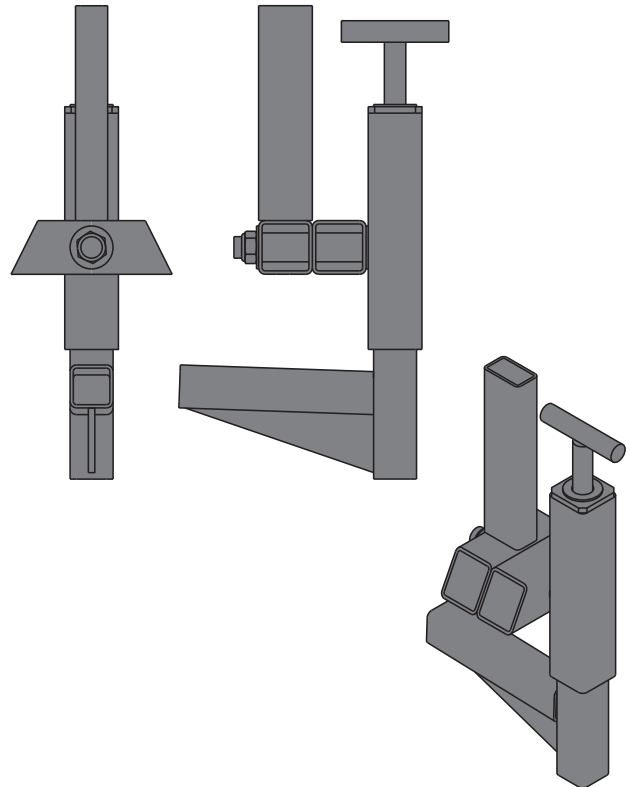


AS015 ACCURATE SAFETY STAIR CLAMP®

The **Accurate Safety Stair Clamp®** forms part of a telescopic handrail system that provides innovative edge protection for all configurations of stairs and stairwells. It connects to **Accurate Safety** Telescopic Handrails and Posts.

The **Accurate Safety Stair Clamp®** allows for rapid installation with no drilling required.

The **Accurate Safety Stair Clamp®** is hot-dip galvanised.



KEY FACTS

PRODUCT CODE	AS015
PRODUCT NAME	Accurate Safety Safety Stair Clamp
SIZES	50 x 50mm / 2" x 2" square
WEIGHT	6.6kg / 14.55lbs
ADJUSTMENT	80 to 200mm
FINISH	Hot-dip galvanised

CERTIFIED TO:



BS EN 13374 CLASS A



OSHA 1926-502
ANSI/ASSE A10.18-2007