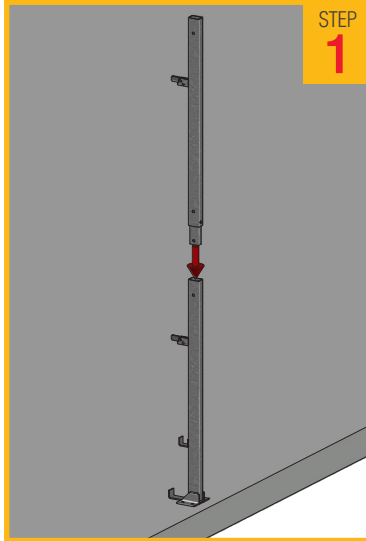
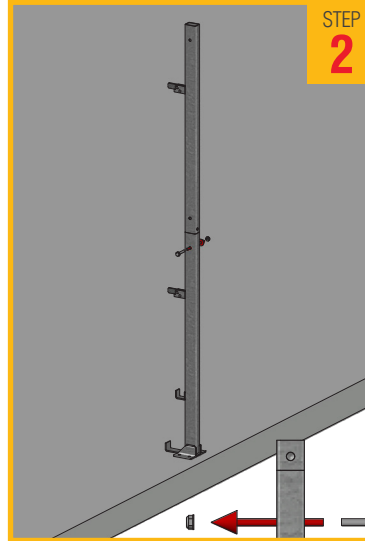


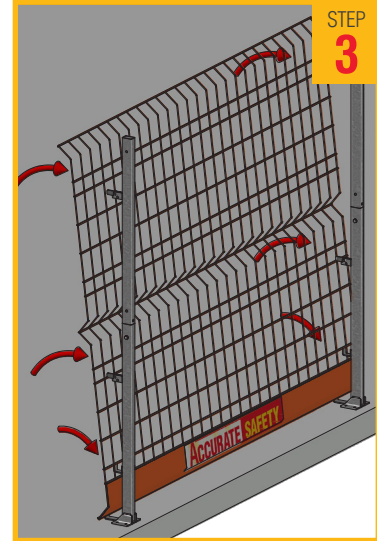
AS006 ACCURATE SAFETY POST EXTENSION® 1150MM



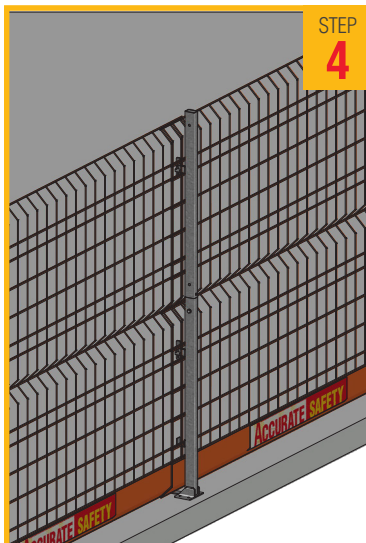
Insert extension into top of AS005.



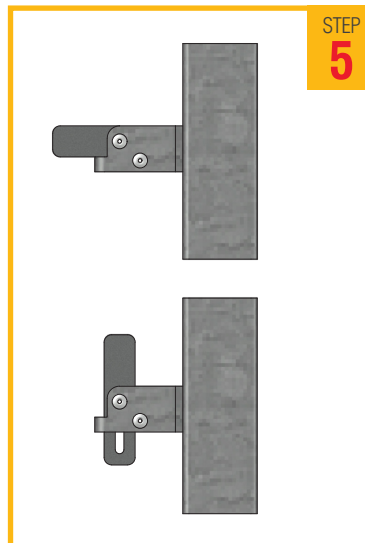
Insert M10 bolt into fixing hole and secure.



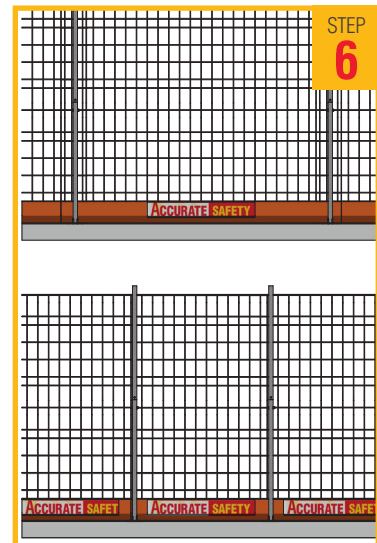
Place bottom of panel on to low hook.



Place top of panel over anti-luce fittings.



Close anti-luce fittings.



Maximum centres for 2.6m panel is 2.4m, maximum centres for 1.3 Panel is 1.1m centres.

IMPORTANT – DISASSEMBLY PROCESS MUST FOLLOW THE INSTRUCTIONS IN REVERSE ORDER